



# 2014

## TRUCK CHASSIS SPECIFICATIONS

**(NV8J) SS-NV072A**  
**GVW: 15,870 kg (35,000 lbs.)**

All 2014 models require ultra-low sulfur diesel fuel

### DIMENSIONS (On standard specifications)

MODEL		NV8JLSA	NV8JMSA	NV8JPSA	NV8JRSA	NV8JTSA	NV8JVSA
Wheelbase	A mm(in.)	4,750 (187.0)	5,207 (205.0)	5,512 (217.0)	5,969(235.0)	6,426 (253.0)	6,883 (271.0)
Overall length	B mm(in.)	7,686 (302.6)	8,143 (320.6)	9,007 (354.6)	9,464(372.6)	9,921 (390.6)	9,921 (390.6)
Overall width	C mm(in.)	2,450 (96.5)	2,450 (96.5)	2,450 (96.5)	2,450 (96.5)	2,450 (96.5)	2,450 (96.5)
Overall height	D mm(in.)	2,725 (107.3)	2,725 (107.3)	2,725 (107.3)	2,725(107.3)	2,725 (107.3)	2,725 (107.3)
Cab to axle	E mm(in.)	3,038 (119.6)	3,495 (137.6)	3,800 (149.6)	4,257(167.6)	4,714 (185.6)	5,171 (203.6)
Rear overhang	F mm(in.)	1,905 (75.0)	1,905 (75.0)	2,464 (97.0)	2,464 (97.0)	2,464 (97.0)	2,007 (79.0)
Frame height at							
Front axle	G mm(in.)	950 (37.4)	950 (37.4)	950 (37.4)	950 (37.4)	950 (37.4)	950 (37.4)
Rear axle	H mm(in.)	1,030 (40.6)	1,030 (40.6)	1,030 (40.6)	1,030 (40.6)	1,030 (40.6)	1,030 (40.6)
Road clearance							
(at front axle)	J mm(in.)	255 (10.0)	255 (10.0)	255 (10.0)	255 (10.0)	255 (10.0)	255 (10.0)
Tread							
Front	K mm(in.)	2,015 (79.3)	2,015 (79.3)	2,015 (79.3)	2,015 (79.3)	2,015 (79.3)	2,015 (79.3)
Rear	L mm(in.)	1,835 (72.2)	1,835 (72.2)	1,835 (72.2)	1,835 (72.2)	1,835 (72.2)	1,835 (72.2)
Turning radius							
Tire	mm(in.)	7,770 (305.9)	8,450 (332.7)	8,890 (350.0)	9,570(376.8)	10,240 (403.1)	10,910 (429.5)
Swept	mm(in.)	8,290 (326.4)	8,970 (353.1)	9,410 (370.5)	10,090(397.2)	10,760 (423.6)	11,430 (450.0)

### CHASSIS WEIGHTS

AT Total weight	kg(lb.)	5,240 (11,552)	5,320 (11,727)	5,360(11,817)	5,385 (11,872)	5,405(11,917)	5,440 (11,992)
Front axle	kg(lb.)	3,203 (7,061)	3,268 (7,203)	3,273 (7,214)	3,310 (7,300)	3,371 (7,433)	3,381 (7,454)
Rear axle	kg(lb.)	2,037 (4,491)	2,052 (4,524)	2,087 (4,603)	2,075 (4,572)	2,034 (4,484)	2,059 (4,538)

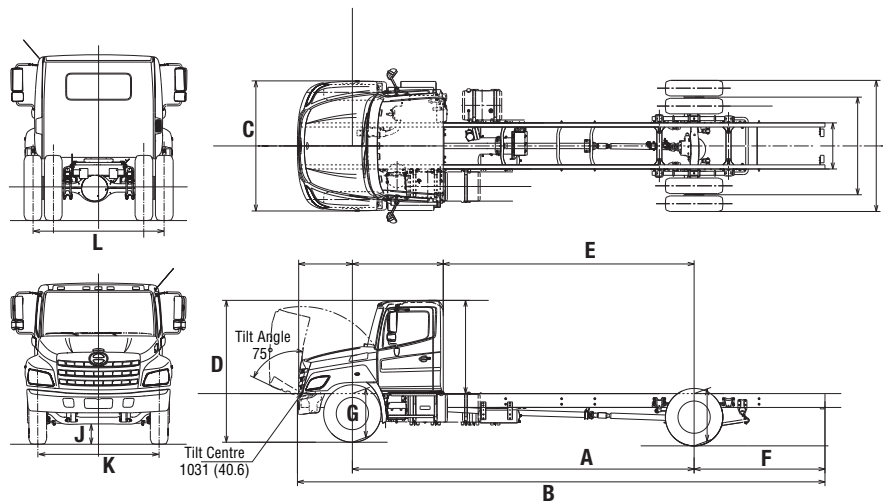
### POWER LINE & PERFORMANCE

[15,870 kg (35,000 lbs.) GVW & 11R22.5 tires]

Power line	
Max. speed	km/h 119
Startability	53.8
Transmission Model	Allison 3000 RDS
Type	Six-speed automatic
1st.	3.487
2nd.	1.864
3rd.	1.409
Ratios	4th. 1.000
	5th. 0.750
	6th. 0.650
	Rev. 5.027
Rear axle gear ratio	5.63
Tire is combined with ratio	11R22.5

### ENGINE

Model	HINO J08E-VB
Type:	Diesel, 6 cylinder, in-line, water-cooled
Combustion system:	Direct injection type
Max. output:	260HP at 2,500 rpm
Max. torque: (SAE Gross)	895 N•m (660 lb.-ft.) at 1,500 rpm
Bore and stroke:	112 x 130 mm (4.41 x 5.12 in.)
Piston displacement	7.684 L (468.8 cu.in.)
Fuel injection system:	Common rail ND
Governor:	Electronically controlled
Intake system:	Turbocharged and intercooled
Air cleaner:	Paper filter type ("DONALDSON")
Pre-heater:	Glow heater plug type
Fan clutch:	Bimetal thermostat sensor regulates fan speed
Block heater:	1,000 watts/120V immersion type



THE QUALITY CHOICE.

www.hinocanada.com

**WEIGHT CAPACITIES**

Front axle	kg (lbs.) 6,350 (14,000)
Rear axle	kg (lbs.) 10,455 (23,000)
Front spring	kg (lbs.) 6,350 (14,000)
Rear spring	kg (lbs.) 10,455 (23,000)

**LIQUID CAPACITIES**

Fuel tank ltr.(gal./US)	189.2 (50), aluminum, X 2
Cooling system	23.5 (6.21)
ltr.(gal./US)	: ALLISON 3000RDS
Diesel Exhaust Fluid, ltr. (gal.US)	19 (5.02)

**AXLE / SUSPENSION**

Front axle	MFS-14 series reversed Elliot, "I" beam; Oil-lubricated front wheel bearings
Front spring	Taper-leaf springs w/ shock absorbers
Rear axle	RS23-160 series Full-floating, single reduction Single-speed hypoid gears, oil lubricated type
Rear spring	Semi-elliptic main leaf
Option:	2 air bag suspension with shock absorbers and dump valve

**FRAME**

Ladder type	Straight ] section
Width mm(in.)	866.8 (34.1)
Tensile strength kg/mm <sup>2</sup> (lb/in) <sup>2</sup>	87.8 (120,488)
Resisting bending moment (one side)	2,317,900 (1,933,200)
kg•mm (in•lbs.)	no reinforcement

**STEERING**

Type	Tilt and telescopic steering column with lock Recirculating ball, with hydraulic booster integral type
------	---

**WHEELS / TIRES**

6 Wheels	22.5X8.25 10-stud disc.
6 Tires	Front: 11R22.5(H) Rear: 11R22.5(G)
Brand & Pattern	Bridgestone Fr: RIB, Rr: LUG

**BRAKES**

Service brake	Full air, dual circuit, "S" cam type, leading & trailing shoes, with automatic adjustment
Drum diameter	Front;
x lining width	381 x 101.6 x 18.5
x thickness	(15 x 4 x 0.73)
mm(in.)	Rear;
	419.1 x 177.8 x 21.6 (16.5 x 7 x 0.85)
Control	Full air dual circuit with Antilock Brake System (ABS)
Parking brake	Spring brake acting on rear wheels
Air dryer for air tank	Equipped with heater (Bendix)
Exhaust brake	Electric-pneumatic with valve in exhaust pipe

**CAB EQUIPMENT**

Cab construction	- All steel, welded
Seating	- Three
Driver's seat	- Adjustable reclining, covered with fabric with air suspension and armrest
Passenger's seat	- Bench type, covered with fabric
Seat belts	- 3-point type (driver and passenger), one 2-point type (center)
Heater/Defroster	-18,357 BTU/h (4,627 Kcal/h)
Power mirrors, outside rearview,	chrome, 1 flat, heated and 1 convex on each side
Sun visors	- 2
Over-head console	- 2
Air conditioning	
Windshield	- Laminated
Windshield wipers	- Dual electric, 2-speed and intermittent
Cup holder	
Electric power windows	
Electronic cruise control	
12V Power outlet	
Power door locks, keyless entry	

**DASH INSTRUMENTATION**

Meters and gauges, metric system	
Speedometer- km/h (mph)	
Odometer (km/h)	
Fuel gauge	
Diesel exhaust fluid gauge	
Coolant temperature gauge	
Engine tachometer	
Warning and pilot lamps and buzzers	
Oil pressure warning lamp and buzzer	
Brake pressure warning lamp and buzzer	
Coolant level warning lamp and buzzer	
Battery charging warning lamp	
High beam indicator lamp	
Turn signal indicator lamp	
Parking brake warning lamp	
Engine control system warning lamp	
ABS warning lamp	
Glow plug pre-heater indicator lamp	
DEF level indicator	

**ELECTRICAL EQUIPMENT**

Batteries	2, parallel connection, each 12 V
Capacity	1400 CCA
Alternator	135 A brushless
Starter	12 V, 4.8 kW
Audio system	AM/FM/CD with Bluetooth®
Headlamps	2, composite type
Identification lamps (front) LED type	
Stop/Tail lamps	
Back-up lamps	
Turn signals and hazard warning lamps	
Dome lamps	
Front side marker lamps	
Clearance lamps (front) LED type	
Air horn and dual electric horns	

**CHASSIS EQUIPMENT**

Fuel pre-filter - Pre-filter (dust) and sedimenter (water) with heater - DAVCO	
Reflectors - 2 rear, 2 front side	
Hook - One at front	
Chrome bumper	
Chrome grille	

*See your authorized Hino Dealer for a complete list of options and accessories.*

**NOTE :** All specifications of the products are with normal manufacturing allowances and tolerances.

**HINO MOTORS CANADA, LTD.** reserves the right to alter specifications at any time without previous notice.