

# HINO 155 SERIES



# 2015

## TRUCK CHASSIS SPECIFICATIONS

Spec. No. **SS-XJ342A**  
GVW: **6,580 kg (14,500 lbs.)**

All 2015 models require ultra-low sulfur diesel fuel

### DIMENSIONS (On standard specifications)

MODEL		155-114	155-137	155-149
Wheelbase	A mm (in)	2,900 (114.2)	3,500 (137.8)	3,800 (149.6)
Overall length	B mm (in)	5,206 (205.0)	5,806 (228.6)	6,105 (240.4)
Overall width	C mm (in)	2,130 (83.9)	2,130 (83.9)	2,130 (83.9)
Overall height	D mm (in)	2,354 (92.7)	2,350 (92.5)	2,350 (92.5)
Cab width	mm (in)	1,995 (78.5)	1,995 (78.5)	1,995 (78.5)
Frame width	mm (in)	838 (33.0)	838 (33.0)	838 (33.0)
Cab to axle	E mm (in)	2,342 (92.2)	2,942 (115.8)	3,242 (127.7)
Front overhang	mm (in)	1,126.5 (44.4)	1,126.5 (44.4)	1,126.5 (44.4)
Front overhang frame	mm (in)	1,033 (40.7)	1,033 (40.7)	1,033 (40.7)
Rear overhang	F mm (in)	1,175 (46.3)	1,175 (46.3)	1,175 (46.3)
Frame height at Front axle	G mm (in)	721 (28.4)	716 (28.2)	716 (28.2)
	Rear axle H mm (in)	808 (31.8)	810 (31.9)	813 (32.0)
Road clearance (at diff. case)	J mm (in)	179 (7.0)	179 (7.0)	179 (7.0)
Tread	Front K mm (in)	1,655 (65.2)	1,655 (65.2)	1,655 (65.2)
	Rear L mm (in)	1,660 (65.4)	1,660 (65.4)	1,660 (65.4)
Turning radius Tire	mm (in)	4,960 (195.3)	5,840 (229.9)	6,290 (247.6)
Turning radius Swept	mm (in)	5,650 (222.4)	6,540 (257.5)	6,980 (274.8)

### CHASSIS WEIGHTS

	kg(lb.)	155-114	155-137	155-149
Total weight	kg(lb.)	2,886 (6,363)	2,919 (6,436)	2,925 (6,449)
Front axle	kg(lb.)	1,867 (4,116)	1,909 (4,209)	1,920 (4,233)
Rear axle	kg(lb.)	1,019 (2,247)	1,010 (2,227)	1,005 (2,216)

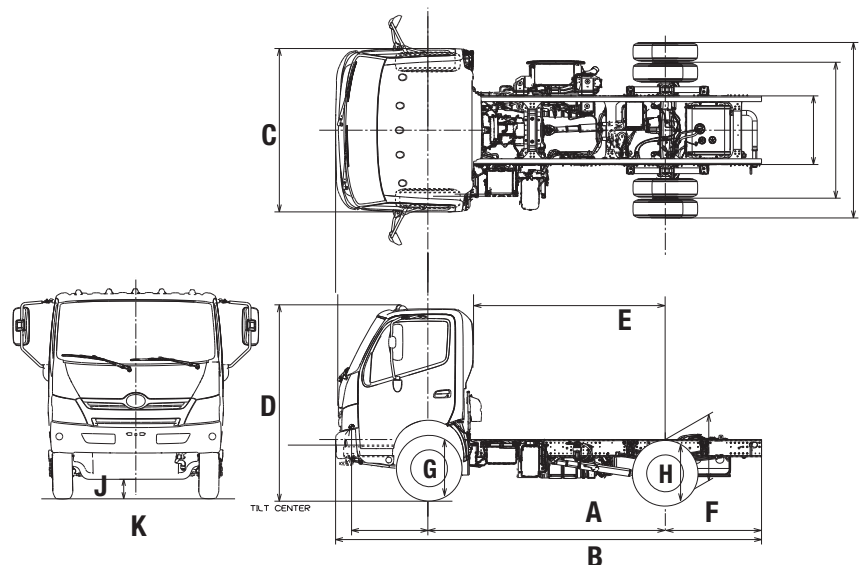
### ENGINE

Model	HINO J05E-TP
Type:	Diesel, 4-cylinder in-line, water-cooled
Combustion system:	Direct injection type
Max. output: (SAE Gross)	210HP at 2,500 rpm
Max. torque: (SAE Gross)	597 N•m (440 lb.-ft.) at 1,500 rpm
Bore and stroke:	112 x 130 mm (4.41 x 5.12 in.)
Piston displacement	5.123 L (312.6 cu.in.)
Fuel injection system:	Radial plunger pump (HP-3)
Governor:	Electronically controlled
Intake system:	Turbocharged and intercooled
Air cleaner:	Paper filter type ("DONALDSON")
Fan clutch:	Bimetal thermostat sensor regulates fan speed
Exhaust gas after treatment system	DEF - SCR Dosing system
Glow plugs	Standard
Engine block heater	1,000 watts/120V immersion type

### POWER LINE & PERFORMANCE

[6,580 kg (14,500 lbs.) GVW & 215-85R16 tires]

Power line	
Max. speed km/h	125
Startability	84.4
Transmission Model	A465
Type	Six-speed automatic
1st.	3.742
2nd.	2.003
3rd.	1.343
Ratios	4th. 1.000
	5th. 0.773
	6th. 0.634
	Rev. 3.539
Rear axle gear ratio	4.62



THE QUALITY CHOICE.

www.hinocanada.com

**WEIGHT CAPACITIES**

Front axle	kg (lbs.) 2,430 (5,360)
Rear axle	kg (lbs.) 4,480 (9,880)

**LIQUID CAPACITIES**

Fuel tank	114 (30)
ltr.(gal./US)	
Cooling system	21.0L (5.54 gal./US)
Diesel Exhaust Fluid, ltr. (gal.US)	19 (5.02)

**AXLE / SUSPENSION**

Front axle	Reversed Elliot, "I" beam
Front spring	Taper leaf springs with shock absorbers and stabilizer bar
Rear axle	Full-floating, single reduction Single-speed hypoid gears
Rear spring	Taper-leaf springs with shock absorbers

**FRAME**

Ladder type	Straight section
Max. section (depth x flange x thickness) mm(in.)	210 x 70 x 5.0 (8.27 x 2.8 x 0.20)
Yield point of material kg/mm <sup>2</sup> (PSI)	40.0 (56,900)
Resisting bending moment (both sides) kgf•mm (in•lbs.)	8,144,000 (706,900)
Front bumper	Resin material

**STEERING**

Type	Tilt and telescopic steering column with lock Recirculating ball, with hydraulic booster integral type
------	---

**WHEELS / TIRES**

6 Wheels	16X6K-127 6-stud disc.
6 Tires	215/85R16
Brand & Pattern	Bridgestone Fr-RIB Rr-LUG type

**BRAKES**

Service brakes	Hydraulic system with disc brakes for front and rear wheels, with ABS
Control	Vacuum assist, dual circuit
Disc diameter(mm)	Front;
x pad area(cm <sup>2</sup> )	287 x 84 x 13
x thickness(mm) (in)	(11.3 x 3.31 x 0.51)
	Rear;
	287 x 84 x 13 (11.3 x 3.31 x 0.51)
Parking brake	Mechanical, internal expanding acting on transmission output shaft
Drum diameter mm(in)	203 (8)
Exhaust brake	Electric-pneumatic with valve in exhaust pipe

**CAB EQUIPMENT**

Cab construction	- All steel, welded
Seating	- Three
Driver's seat	- 2-way adjustable high-back seat, fabric covered, magnetic suspension
Passenger's seat	- Fixed high-back seat, fabric covered
Center passenger's seat	- Foldaway type with seat back console, fabric covered
Seat belts	- 3-point type for driver and passenger, 2-point type for center passenger
Heater/Defroster	- 18,596 BTU/h ( 4,687 Kcal/h )
Air conditioning	
Outside rearview mirrors	- 2, heated, remote control
Coat hook	
Sun visors	- 2
Over-head console	- 2
Windshield	- Laminated
Windshield wipers	- Dual electric, 2-speed and intermittent
Cup Holders	2, dash mounted
Electric power windows	
12V Power outlet	
Electric door locks	keyless entry
Door pockets	
Vinyl floor covering	
Cruise control	

**CHASSIS EQUIPMENT**

Fuel pre-filter and sedimentor	with heater
Towing hook	- 1 at front
Reflectors	2
Chrome grille	
Air cleaner indicator	

**DASH INSTRUMENTATION**

Meters and gauges	metric system
Speedometer	- km/h (mph)
Odometer	- km
Fuel gauge	
Coolant temperature gauge	
Engine tachometer	
Economy meter	
Warning lamps and buzzers	
Oil pressure warning lamp and buzzer	
Brake fluid level warning lamp	
Battery charging warning lamp	
High beam indicator lamp	
Turn signal indicator lamp	
Parking brake warning lamp	
Engine control system warning lamp	
ABS warning lamp	
Cab tilt warning lamp and buzzer	
Exhaust brake indicator lamp	
Transmission oil temperature warning lamp	
Fuel level warning lamp	
Hazard indicator lamp	
Economy indicator lamp	
DEF level indicator	

**ELECTRICAL EQUIPMENT**

Batteries	2, 12V GR31, parallel connection
Capacity	1,400 CCA
Alternator	12 V, 130 A
Starter	12 V, 3.35 kW
Audio system	AM/FM/CD with Bluetooth®
Headlamps	2, composite type
Stop/Tail lamps	
Identification lamps	
Back-up lamps	
Back-up warning buzzer	
License plate lamp	
Directional indicator and hazard lamp	
Dome lamp	
Clearance lamps	
Parking lamps	
Day time running lights	
Fender marker lamps	
Electric Horn	

*See your authorized Hino Dealer for a complete list of options and accessories.*

**NOTE :** All specifications of the products are with normal manufacturing allowances and tolerances.  
HINO MOTORS CANADA, LTD. reserves the right to alter specifications at any time without previous notice.