

# HINO 258LP SERIES



# HINO

# 2014

## TRUCK CHASSIS SPECIFICATIONS

(NE8J Lo-Pro) SS-NE063A  
GVW: 11,570 kg (25,500 lbs.)

All 2014 models require ultra-low sulfur diesel fuel

### DIMENSIONS (On standard specifications)

MODEL	NE8JLSA	NE8JMSA	NE8JPSA	NE8JRSA	NE8JTSA	NE8JVSA
Wheelbase A mm(in.)	4,750 (187.0)	5,207 (205.0)	5,512 (217.0)	5,969(235.0)	6,426 (253.0)	6,883 (271.0)
Overall length B mm(in.)	7,686 (302.6)	8,143 (320.6)	9,007 (354.6)	9,464(372.6)	9,921 (390.6)	9,921 (390.6)
Overall width C mm(in.)	2,430 (95.7)	2,430 (95.7)	2,430 (95.7)	2,430 (95.7)	2,430 (95.7)	2,430 (95.7)
Overall height D mm(in.)	2,615 (103.0)	2,615 (103.0)	2,615 (103.0)	2,615(103.0)	2,615 (103.0)	2,615 (103.0)
Cab to axle E mm(in.)	3,038 (119.6)	3,495 (137.6)	3,800 (149.6)	4,257(167.6)	4,714 (185.6)	5,171 (203.6)
Rear overhang F mm(in.)	1,905 (75.0)	1,905 (75.0)	2,464 (97.0)	2,464 (97.0)	2,464 (97.0)	2,007 (79.0)
Frame height at						
Front axle G mm(in.)	840 (33.1)	840 (33.1)	840 (33.1)	840 (33.1)	840 (33.1)	840 (33.1)
Rear axle H mm(in.)	900 (35.4)	900 (35.4)	900 (35.4)	900 (35.4)	900 (35.4)	900 (35.4)
Road clearance						
(at front axle) J mm(in.)	180 (7.1)	180 (7.1)	180 (7.1)	180 (7.1)	180 (7.1)	180 (7.1)
Tread						
Front K mm(in.)	2,020 (79.5)	2,020 (79.5)	2,020 (79.5)	2,020 (79.5)	2,020 (79.5)	2,020 (79.5)
Rear L mm(in.)	1,840 (72.4)	1,840 (72.4)	1,840 (72.4)	1,840 (72.4)	1,840 (72.4)	1,840 (72.4)
Turning radius						
Tire mm(in.)	7,760 (305.5)	8,430 (331.9)	8,880 (349.6)	9,550(376.0)	10,220 (402.4)	10,900 (429.1)
Swept mm(in.)	8,270 (325.6)	8,940 (352.0)	9,390 (369.7)	10,060(396.1)	10,730 (422.4)	11,410 (449.2)

### CHASSIS WEIGHTS

AT Total weight kg(lb.)	4,290 (9,460)	4,340 (9,570)	4,390 (9,680)	4,410 (9,720)	4,425 (9,755)	4,455 (9,820)
Front axle kg(lb.)	2,770 (6,110)	2,810 (6,195)	2,820 (6,220)	2,845 (6,270)	2,890 (6,370)	2,890 (6,370)
Rear axle kg(lb.)	1,520 (3,350)	1,530 (3,375)	1,570 (3,460)	1,565 (3,450)	1,535 (3,385)	1,565 (3,450)

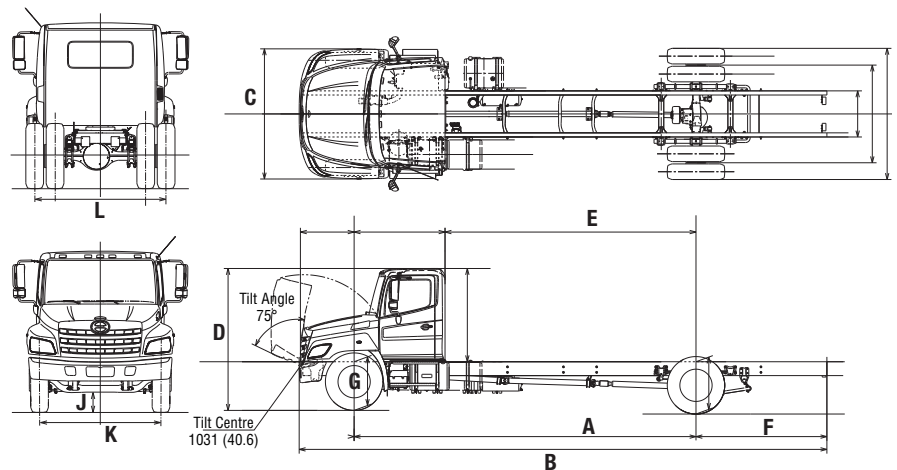
### POWER LINE & PERFORMANCE

[11,570 kg (25,500 lbs.) GVW & 245/70R19.5 tires]

Power line	
Max. speed km/h	135
Startability	31.6
Transmission Model	Allison 2200 RDS
Type	Six-speed automatic
1st.	3.102
2nd.	1.811
3rd.	1.406
Ratios	
4th.	1.000
5th.	0.712
6th.	0.610
Rev.	4.492
Rear axle gear ratio	4.11
Tire size	245/70R19.5

### ENGINE

Model	HINO J08E-VC
Type:	Diesel, 6 cylinder, in-line, water-cooled
Combustion system:	Direct injection type
Max. output: (SAE Gross)	220HP at 2,500 rpm
Max. torque: (SAE Gross)	706 N•m (520 lb.-ft.) at 1,500 rpm
Bore and stroke:	112 x 130 mm (4.41 x 5.12 in.)
Piston displacement	7.684 L (468.8 cu.in.)
Fuel injection system:	Common rail ND
Governor:	Electronically controlled
Intake system:	Turbocharged and intercooled
Air cleaner:	Paper filter type ("DONALDSON")
Pre-heater:	Glow plug type
Fan clutch:	Bimetal thermostat sensor regulates fan speed
Block heater:	1,000 watts/120V immersion type



THE QUALITY CHOICE.

www.hinocanada.com

**WEIGHT CAPACITIES**

Front axle	kg (lbs.) 3,636 (8,000)
Rear axle	kg (lbs.) 7,955 (17,500)
Front spring	kg (lbs.) 3,636 (8,000)
Rear spring	kg (lbs.) 8,636 (19,000)

**LIQUID CAPACITIES**

Fuel tank ltr.(gal./US)	189.2 (50), aluminum
Cooling system	23.5 (6.21)
ltr.(gal./US)	: ALLISON 2200 RDS
Diesel Exhaust Fluid, ltr. (gal.US)	19 (5.02)

**AXLE / SUSPENSION**

Front axle	MFS-8 series reversed Elliot, "I" beam, Oil lubricated front wheel bearings
Front spring	Taper-leaf springs w/ shock absorbers
Rear axle	RS17-145 series Full-floating, single reduction Single-speed hypoid gears, oil-lubricated type
Rear spring	Semi-elliptic main leaf
Option:	2 air bag suspension with shock absorbers and dump valve

**FRAME**

Ladder type	Straight ] section
Width mm(in.)	863.6 (34)
Tensile strength kg/mm <sup>2</sup> (lb/in) <sup>2</sup>	63.4 (90,143)
Resisting bending moment (one side) kg•mm (in•lbs.)	1,188,862 (1,031,900) no reinforcement

**STEERING**

Type	Tilt and telescopic steering column with lock Recirculating ball, with hydraulic booster integral type
------	---

**WHEELS / TIRES**

6 Wheels	19.5X6.75 8-stud disc.
6 Tires	245/70R19.5(G)
Brand & Pattern	Bridgestone Fr: RIB, Rr: LUG

**BRAKES**

Service brake	Hydraulic system with disc brakes for front and rear wheels, with automatic adjustment
Disc diameter	Front;
x pad area (cm <sup>2</sup> )	390.5 x 122.3 x 18.8
x thickness	(15.375 x 18.96 x 0.74)
mm(in.)	Rear;
	390.5 x 122.3 x 18.8 (15.375 x 18.96 x 0.74)
Control	Hydraulic dual circuit with Antilock Brake System (ABS)
Parking brake	Mechanical, internal expanding acting on the drive shaft
Drum diameter mm(in.)	304.8 (12)
Exhaust brake	Electric-pneumatic with valve in exhaust pipe

**CAB EQUIPMENT**

Cab construction	- All steel, welded
Seating	- Three
Driver's seat	- Adjustable reclining, covered with fabric, with air suspension and armrest
Passenger's seat	- Bench type, covered with fabric
Seat belts	- 3-point type (driver and passenger), one 2-point type (centre)
Heater/Defroster	- 18,357 BTU/h (4,627 Kcal/h)
Power mirrors	- outside rearview, chrome, 1 flat, heated and 1 convex on each side
Sun visors	- 2
Over-head console	- 2
Air conditioning	
Windshield	- Laminated
Windshield wipers	- Dual electric, 2-speed and intermittent
Cup holders	
Electric power windows	
Electronic cruise control	
12V Power outlet	
Power door locks	- keyless entry

**DASH INSTRUMENTATION**

Driver information display	
Meters and gauges, metric system	
Speedometer	- km/h (mph)
Odometer	(km/h)
Fuel gauge	
Diesel exhaust fluid gauge	
Coolant temperature gauge	
Engine tachometer	
Warning and pilot lamps and buzzers	
Oil pressure warning lamp and buzzer	
Coolant level warning lamp and buzzer	
Battery charging warning lamp	
High beam indicator lamp	
Turn signal indicator lamp	
Parking brake warning lamp	
Engine control system warning lamp	
ABS warning lamp	
Glow plug pre-heater indicator lamp	
DEF level indicator	

**ELECTRICAL EQUIPMENT**

Batteries	2, parallel connection, each 12 V
Capacity	1400 CCA
Alternator	12 V, 135 A brushless
Starter	12 V, 4.0 kW
Audio system	AM/FM/CD with Bluetooth®
Headlamps	2, composite type
Identification lamps (front)	LED type
Stop/Tail lamps	
Back-up lamps	
Turn signals and hazard warning lamps	
Dome lamps	
Front side marker lamps	
Clearance lamps (front)	LED type
Electrical horn	(dual)

**CHASSIS EQUIPMENT**

Fuel pre-filter	- Pre-filter (dust) and sedimenter (water) with heater, Davco
Reflectors	- 2 rear, 2 front side
Hook	- One at front
Chrome grille	
Chrome bumper	

*See your authorized Hino Dealer for a complete list of options and accessories.*

**NOTE :** All specifications of the products are with normal manufacturing allowances and tolerances.

**HINO MOTORS CANADA, LTD.** reserves the right to alter specifications at any time without previous notice.