

HINO 258LP SERIES



HINO

2015

TRUCK CHASSIS SPECIFICATIONS

(NE8J Lo-Pro) SS-NE073A
GVW: 11,570 kg (25,500 lbs.)

All 2015 models require ultra-low sulfur diesel fuel

DIMENSIONS (On standard specifications)

| MODEL | | 258-187 | 258-205 | 258-217 | 258-235 | 258-253 | 258-271 |
|---------------------------|--|---------------|---------------|---------------|---------------|----------------|----------------|
| Wheelbase A mm(in.) | | 4,750 (187.0) | 5,207 (205.0) | 5,512 (217.0) | 5,969(235.0) | 6,426 (253.0) | 6,883 (271.0) |
| Overall length B mm(in.) | | 7,686 (302.6) | 8,143 (320.6) | 9,007 (354.6) | 9,464(372.6) | 9,921 (390.6) | 9,921 (390.6) |
| Overall width C mm(in.) | | 2,430 (95.7) | 2,430 (95.7) | 2,430 (95.7) | 2,430 (95.7) | 2,430 (95.7) | 2,430 (95.7) |
| Overall height D mm(in.) | | 2,615 (103.0) | 2,615 (103.0) | 2,615 (103.0) | 2,615(103.0) | 2,615 (103.0) | 2,615 (103.0) |
| Cab to axle E mm(in.) | | 3,038 (119.6) | 3,495 (137.6) | 3,800 (149.6) | 4,257(167.6) | 4,714 (185.6) | 5,171 (203.6) |
| Rear overhang F mm(in.) | | 1,905 (75.0) | 1,905 (75.0) | 2,464 (97.0) | 2,464 (97.0) | 2,464 (97.0) | 2,007 (79.0) |
| Frame height at | | | | | | | |
| Front axle G mm(in.) | | 840 (33.1) | 840 (33.1) | 840 (33.1) | 840 (33.1) | 840 (33.1) | 840 (33.1) |
| Rear axle H mm(in.) | | 900 (35.4) | 900 (35.4) | 900 (35.4) | 900 (35.4) | 900 (35.4) | 900 (35.4) |
| Road clearance | | | | | | | |
| (at front axle) J mm(in.) | | 180 (7.1) | 180 (7.1) | 180 (7.1) | 180 (7.1) | 180 (7.1) | 180 (7.1) |
| Tread | | | | | | | |
| Front K mm(in.) | | 2,020 (79.5) | 2,020 (79.5) | 2,020 (79.5) | 2,020 (79.5) | 2,020 (79.5) | 2,020 (79.5) |
| Rear L mm(in.) | | 1,840 (72.4) | 1,840 (72.4) | 1,840 (72.4) | 1,840 (72.4) | 1,840 (72.4) | 1,840 (72.4) |
| Turning radius | | | | | | | |
| Tire mm(in.) | | 7,760 (305.5) | 8,430 (331.9) | 8,880 (349.6) | 9,550(376.0) | 10,220 (402.4) | 10,900 (429.1) |
| Swept mm(in.) | | 8,270 (325.6) | 8,940 (352.0) | 9,390 (369.7) | 10,060(396.1) | 10,730 (422.4) | 11,410 (449.2) |

CHASSIS WEIGHTS

| AT Total weight kg(lb.) | 258-187 | 258-205 | 258-217 | 258-235 | 258-253 | 258-271 |
|-------------------------|---------------|---------------|---------------|---------------|---------------|---------------|
| AT Total weight kg(lb.) | 4,290 (9,460) | 4,335 (9,555) | 4,385 (9,665) | 4,405 (9,710) | 4,420 (9,745) | 4,450 (9,810) |
| Front axle kg(lb.) | 2,775 (6,120) | 2,810 (6,195) | 2,815 (6,205) | 2,845 (6,270) | 2,885 (6,360) | 2,890 (6,370) |
| Rear axle kg(lb.) | 1,515 (3,340) | 1,525 (3,360) | 1,570 (3,460) | 1,560 (3,440) | 1,535 (3,385) | 1,560 (3,440) |

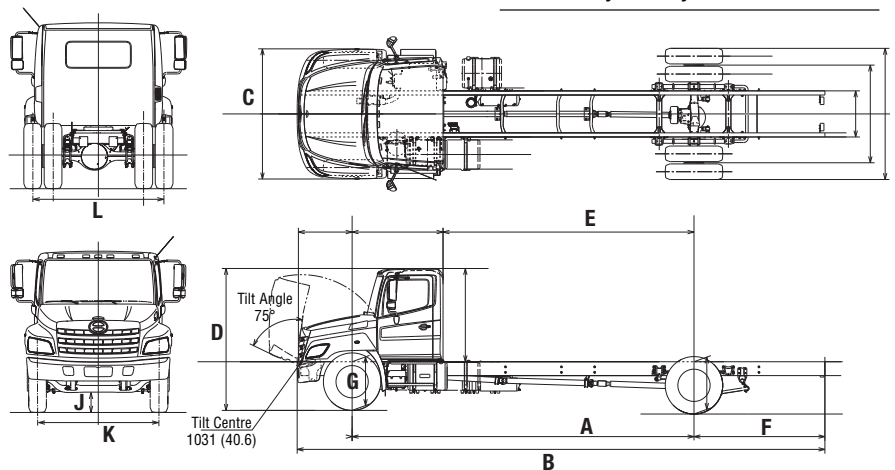
POWER LINE & PERFORMANCE

[11,570 kg (25,500 lbs.) GVW & 245/70R19.5 tires]

| Power line | |
|----------------------|---------------------|
| Max. speed km/h | 135 |
| Startability | 31.6 |
| Transmission Model | Allison 2200 RDS |
| Type | Six-speed automatic |
| 1st. | 3.102 |
| 2nd. | 1.811 |
| 3rd. | 1.406 |
| Ratios | |
| 4th. | 1.000 |
| 5th. | 0.712 |
| 6th. | 0.610 |
| Rev. | 4.492 |
| Rear axle gear ratio | 4.11 |
| Tire size | 245/70R19.5 |

ENGINE

| Model | HINO J08E-VC |
|------------------------------------|---|
| Type: | Diesel, 6 cylinder, in-line, water-cooled |
| Combustion system: | Direct injection type |
| Max. output: (SAE Gross) | 220HP at 2,500 rpm |
| Max. torque: (SAE Gross) | 706 N•m (520 lb.-ft.) at 1,500 rpm |
| Bore and stroke: | 112 x 130 mm (4.41 x 5.12 in.) |
| Piston displacement | 7.684 L (468.8 cu.in.) |
| Fuel injection system: | Common rail ND |
| Governor: | Electronically controlled |
| Intake system: | Turbocharged and intercooled |
| Air cleaner: | Paper filter type ("DONALDSON") |
| Pre-heater: | Glow plug type |
| Fan clutch: | Bimetal thermostat sensor regulates fan speed |
| Block heater: | 1,000 watts/120V immersion type |
| Exhaust gas after treatment system | DEF - SCR Dosing system |



THE QUALITY CHOICE.

www.hinocanada.com

WEIGHT CAPACITIES

| | |
|--------------|--------------------------|
| Front axle | kg (lbs.) 3,630 (8,000) |
| Rear axle | kg (lbs.) 7,940 (17,500) |
| Front spring | kg (lbs.) 3,630 (8,000) |
| Rear spring | kg (lbs.) 8,620 (19,000) |

LIQUID CAPACITIES

| | |
|-------------------------------------|----------------------|
| Fuel tank ltr.(gal./US) | 189.2 (50), aluminum |
| Cooling system | 23.5 (6.21) |
| ltr.(gal./US) | : ALLISON 2200 RDS |
| Diesel Exhaust Fluid, ltr. (gal.US) | 19 (5.02) |

AXLE / SUSPENSION

| | |
|--------------|---|
| Front axle | MFS-8 series reversed Elliot, "I" beam, Oil lubricated front wheel bearings |
| Front spring | Taper-leaf springs w/ shock absorbers |
| Rear axle | RS17-145 series Full-floating, single reduction Single-speed hypoid gears, oil-lubricated type |
| Rear spring | Semi-elliptic main leaf |
| Option: | 2 air bag suspension with shock absorbers and dump valve |

FRAME

| | |
|---|---|
| Ladder type | Straight] section |
| Width mm(in.) | 863.6 (34) |
| Tensile strength kg/mm ² (lb/in) ² | 63.4 (90,143) |
| Resisting bending moment (one side) kg•mm (in•lbs.) | 1,188,862 (1,031,900) no reinforcement |

STEERING

| | |
|------|---|
| Type | Tilt and telescopic steering column with lock Recirculating ball, with hydraulic booster integral type |
|------|---|

WHEELS / TIRES

| | |
|-----------------|------------------------------|
| 6 Wheels | 19.5X6.75 8-stud disc. |
| 6 Tires | 245/70R19.5(G) |
| Brand & Pattern | Bridgestone Fr: RIB, Rr: LUG |

BRAKES

| | |
|-------------------------------|--|
| Service brake | Hydraulic system with disc brakes for front and rear wheels, with automatic adjustment |
| Disc diameter | Front; |
| x pad area (cm ²) | 390.5 x 122.3 x 18.8 |
| x thickness | (15.375 x 18.96 x 0.74) |
| mm(in.) | Rear; |
| | 390.5 x 122.3 x 18.8 (15.375 x 18.96 x 0.74) |
| Control | Hydraulic dual circuit with Antilock Brake System (ABS) |
| Parking brake | Mechanical, internal expanding acting on the drive shaft |
| Drum diameter mm(in.) | 304.8 (12) |
| Exhaust brake | Electric-pneumatic with valve in exhaust pipe |

CAB EQUIPMENT

| | |
|---------------------------|--|
| Cab construction | - All steel, welded |
| Seating | - Three |
| Driver's seat | - Adjustable reclining, covered with fabric, with air suspension and armrest |
| Passenger's seat | - Bench type, covered with fabric |
| Seat belts | - 3-point type (driver and passenger), one 2-point type (centre) |
| Heater/Defroster | - 18,357 BTU/h (4,627 Kcal/h) |
| Power mirrors | - outside rearview, chrome, 1 flat, heated and 1 convex on each side |
| Sun visors | - 2 |
| Over-head console | - 2 |
| Air conditioning | |
| Windshield | - Laminated |
| Windshield wipers | - Dual electric, 2-speed and intermittent |
| Cup holders | |
| Electric power windows | |
| Electronic cruise control | |
| 12V Power outlet | |
| Power door locks | - keyless entry |

DASH INSTRUMENTATION

| | |
|---------------------------------------|--------------|
| Driver information display | |
| Meters and gauges, metric system | |
| Speedometer | - km/h (mph) |
| Odometer | (km/h) |
| Fuel gauge | |
| Diesel exhaust fluid gauge | |
| Coolant temperature gauge | |
| Engine tachometer | |
| Warning and pilot lamps and buzzers | |
| Oil pressure warning lamp and buzzer | |
| Coolant level warning lamp and buzzer | |
| Battery charging warning lamp | |
| High beam indicator lamp | |
| Turn signal indicator lamp | |
| Parking brake warning lamp | |
| Engine control system warning lamp | |
| ABS warning lamp | |
| Glow plug pre-heater indicator lamp | |
| DEF level indicator | |

ELECTRICAL EQUIPMENT

| | |
|---------------------------------------|-----------------------------------|
| Batteries | 2, parallel connection, each 12 V |
| Capacity | 1400 CCA |
| Alternator | 12 V, 135 A brushless |
| Starter | 12 V, 4.0 kW |
| Audio system | AM/FM/CD with Bluetooth® |
| Headlamps | 2, composite type |
| Identification lamps (front) | LED type |
| Stop/Tail lamps | |
| Back-up lamps | |
| Turn signals and hazard warning lamps | |
| Dome lamps | |
| Front side marker lamps | |
| Clearance lamps (front) | LED type |
| Electrical horn | (dual) |

CHASSIS EQUIPMENT

| | |
|-----------------|---|
| Fuel pre-filter | - Pre-filter (dust) and sedimenter (water) with heater, Davco |
| Reflectors | - 2 rear, 2 front side |
| Towing hook | - 1 at front |
| Chrome grille | |
| Chrome bumper | |

See your authorized Hino Dealer for a complete list of options and accessories.

NOTE : All specifications of the products are with normal manufacturing allowances and tolerances.

HINO MOTORS CANADA, LTD. reserves the right to alter specifications at any time without previous notice.