

HINO 338 SERIES



HINO

2016

TRUCK CHASSIS SPECIFICATIONS

(NF8J) SS-NF025A
GVW: 15,000 kg (33,000 lbs.)

All 2016 models require ultra-low sulfur diesel fuel

DIMENSIONS (On standard specifications)

MODEL		338-187	338-205	338-217	338-235	338-253	338-271	338-280
Wheelbase	A mm(in.)	4,750 (187.0)	5,207 (205.0)	5,512 (217.0)	5,969 (235.0)	6,426 (253.0)	6,883 (271.0)	7,112 (280.0)
Overall length	B mm(in.)	7,686 (302.6)	8,143 (320.6)	9,007 (354.6)	9,464 (372.6)	9,921 (390.6)	9,921 (390.6)	9,921 (390.6)
Overall width	C mm(in.)	2,485 (97.8)	2,485 (97.8)	2,485 (97.8)	2,485 (97.8)	2,485 (97.8)	2,485 (97.8)	2,485 (97.8)
Overall height	D mm(in.)	2,720 (107.1)	2,720 (107.1)	2,720 (107.1)	2,720 (107.1)	2,720 (107.1)	2,720 (107.1)	2,720 (107.1)
Cab to axle	E mm(in.)	3,038 (119.6)	3,495 (137.6)	3,800 (149.6)	4,257 (167.6)	4,714 (185.6)	5,171 (203.6)	5,400 (212.6)
Rear overhang	F mm(in.)	1,905 (75.0)	1,905 (75.0)	2,464 (97.0)	2,464 (97.0)	2,464 (97.0)	2,707 (79.0)	1,778 (70.0)
Frame height at								
Front axle	G mm(in.)	940 (37.0)	940 (37.0)	940 (37.0)	940 (37.0)	940 (37.0)	940 (37.0)	940 (37.0)
Rear axle	H mm(in.)	1,030 (40.6)	1,030 (40.6)	1,030 (40.6)	1,030 (40.6)	1,030 (40.6)	1,030 (40.6)	1,030 (40.6)
Road clearance (at front axle)	J mm(in.)	285 (11.2)	285 (11.2)	285 (11.2)	285 (11.2)	285 (11.2)	285 (11.2)	285 (11.2)
Tread								
Front	K mm(in.)	2,005 (78.9)	2,005 (78.9)	2,005 (78.9)	2,005 (78.9)	2,005 (78.9)	2,005 (78.9)	2,005 (78.9)
Rear	L mm(in.)	1,870 (73.6)	1,870 (73.6)	1,870 (73.6)	1,870 (73.6)	1,870 (73.6)	1,870 (73.6)	1,870 (73.6)
Turning radius								
Tire	mm(in.)	7,680 (302.4)	8,340 (328.3)	8,790 (346.1)	9,450 (372.0)	10,120 (398.4)	10,780 (424.4)	11,137.9 (438.5)
Swept	mm(in.)	8,210 (323.2)	8,870 (349.2)	9,320 (366.9)	9,980 (392.9)	10,650 (419.3)	11,310 (445.3)	11,668.8 (459.4)

CHASSIS WEIGHTS

AT	Total weight	kg(lb.)	4,605 (10,150)	4,685 (10,330)	4,725 (10,415)	4,750 (10,470)	4,770 (10,515)	4,805 (10,595)	4,811 (10,606)
	Front axle	kg(lb.)	2,915 (6,425)	2,970 (6,550)	2,965 (6,535)	2,990 (6,590)	3,045 (6,710)	3,050 (6,725)	3,052 (6,728)
	Rear axle	kg(lb.)	1,690 (3,725)	1,715 (3,780)	1,760 (3,880)	1,760 (3,880)	1,725 (3,805)	1,755 (3,870)	1,759 (3,878)

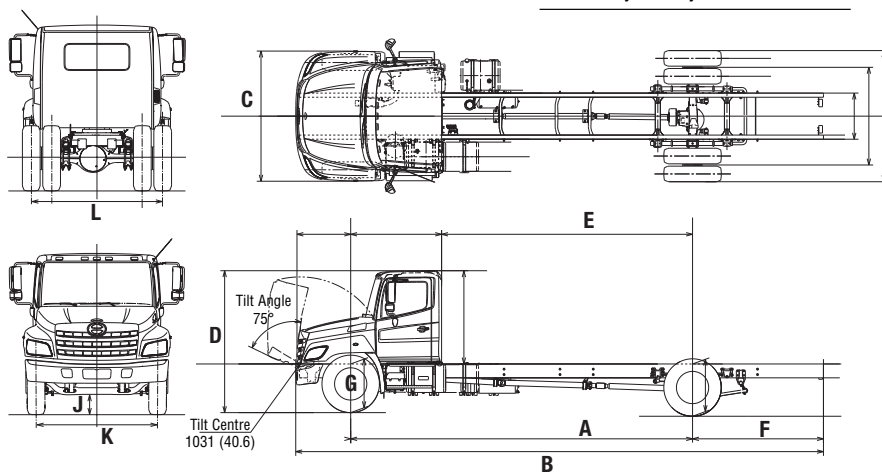
POWER LINE & PERFORMANCE

[15,000 kg (33,000 lbs.) GVW & 11.00R22.5-14 tires]

Power line	
Max. speed km/h	125
Startability	39.2
Transmission Model	Allison 2500 RDS
Type	Six-speed automatic
1st.	3.512
2nd.	1.896
3rd.	1.439
Ratios	4th. 1.000
	5th. 0.737
	6th. 0.640
	Rev. 5.086
Rear axle gear ratio	5.57

ENGINE

Model	HINO J08E-VB
Type:	Diesel, 6 cylinder, in-line, water-cooled
Combustion system:	Direct injection type
Max. output (SAE Gross)	260HP at 2,500 rpm
Max. torque (SAE Gross)	895 N•m (660 lb.-ft.) at 1,500 rpm
Bore and stroke:	112 x 130 mm (4.41 x 5.12 in.)
Piston displacement	7.684 L (468.8 cu.in.)
Fuel injection system:	Common rail HP-4
Governor:	Electronically controlled
Intake system:	Turbocharged and intercooled
Air cleaner:	Paper filter type ("DONALDSON")
Pre-Heater:	Glow heater plug type
Fan clutch:	Bimetal thermostat sensor regulates fan speed
Block heater:	1,000 watts/120V immersion type
Exhaust gas after treatment system	DEF - SCR Dosing system



THE QUALITY CHOICE.

www.hinocanada.com

WEIGHT CAPACITIES

Front axle	kg (lbs.) 5,440 (12,000)
Rear axle	kg (lbs.) 9,530 (21,000)
Front spring	kg (lbs.) 5,440 (12,000)
Rear spring	kg (lbs.) 9,530 (21,000)

LIQUID CAPACITIES

Fuel tank ltr.(gal./US)	189.2 (50), aluminum
Cooling system	26.8 (7.08)
ltr.(gal./US)	: ALLISON 2500RDS
Diesel Exhaust Fluid, ltr. (gal.US)	19 (5.02)

AXLE / SUSPENSION

Front axle	MFS-12 series reversed Elliot, "I" beam, oil lubricated front wheel bearings
Front spring	Taper-leaf springs w/ shock absorbers
Rear axle	RS21-145 series Full-floating, single reduction Single-speed hypoid gears, oil lubricated type
Rear spring	Semi-elliptic main leaf
Option:	2 air bag suspension with shock absorbers and dump valve

FRAME

Ladder type	Straight] section
Width mm(in.)	863.6 (34)
Tensile strength kg/mm ² (lb/in) ²	63.4 (90,143)
Resisting bending moment (one side)	1,475,588 (1,280,800) no reinforcement
	kgf•mm (in•lbs.)

STEERING

Type	Tilt and telescopic steering column with lock Recirculating ball, with hydraulic booster integral type
------	--

WHEELS / TIRES

Wheels	22.5X8.25, 10-stud disc.
Tires	11R22.5(G)
Brand & Pattern	Bridgestone Fr: RIB, Rr: LUG

BRAKES

Service brake	Hydraulic system with disc brake for front and rear wheels, with automatic adjustment
Disc diameter	Front;
x pad area (cm ²)	390.5 x 122.3 x 18.8
x thickness	15.375 x 18.96 x 0.74)
mm(in.)	Rear;
	390.5 x 122.3 x 18.8 (15.375 x 18.96 x 0.74)
Control	Hydraulic dual circuit with Antilock Brake System (ABS)
Parking brake	Mechanical, internal expanding acting on the drive shaft
Drum diameter	304.8 (12)
mm(in.)	
Exhaust brake	Electric-pneumatic with valve in exhaust pipe

CAB EQUIPMENT

Cab construction	- All steel, welded
Seating	- Three
	Driver's seat - Adjustable reclining, covered with fabric with air suspension and armrest
	Passenger's seat - Bench type, covered with fabric
Seat belts	- 3-point type (driver and passenger), one 2-point type (centre)
Heater/Defroster	- 18,357 BTU/h (4,627 Kcal/h)
Power mirrors, outside rearview, chrome,	1 flat, heated and 1 convex on each side
Sun visors	- 2
Over-head console	- 2
Air conditioning	
Windshield	- Laminated
Windshield wipers	- Dual electric, 2-speed and intermittent
Cup holders	
Electric power windows	
Electronic cruise control	
12V Power outlet	
Power door locks, keyless entry	

DASH INSTRUMENTATION

Driver information display	
Meters and gauges, metric system	
Speedometer - km/h (mph)	
Odometer (km/h)	
Fuel gauge	
Diesel exhaust fluid gauge	
Coolant temperature gauge	
Engine tachometer	
Warning and pilot lamps and buzzers	
Oil pressure warning lamp and buzzer	
Brake pressure warning lamp and buzzer	
Coolant level warning lamp and buzzer	
Battery charging warning lamp	
High beam indicator lamp	
Turn signal indicator lamp	
Parking brake warning lamp	
Engine control system warning lamp	
ABS warning lamp	
Glow plug pre-heater indicator lamp	
DEF level indicator	

ELECTRICAL EQUIPMENT

Batteries	2, parallel connection, each 12 V
Capacity	1400 CCA
Alternator	12 V, 135 A brushless
Starter	12 V, 4.8 kW
Audio system	AM/FM/CD with Bluetooth®
Headlamps	2, composite type
Identification lamps (front)	
Stop/Tail lamps	
Back-up lamps	
Turn signals and hazard warning lamps	
Dome lamps	
Clearance lamps (front) LED type	
Electric horn (dual)	

CHASSIS EQUIPMENT

Fuel pre-filter - Pre-filter (dust) and sedimenter (water) with heater - DAVCO	
Reflectors - 2 rear, 2 front side	
Towing hook - 1 at front	
Chrome bumper	
Chrome grille	

See your authorized Hino Dealer for a complete list of options and accessories.

NOTE : All specifications of the products are with normal manufacturing allowances and tolerances.

HINO MOTORS CANADA, LTD. reserves the right to alter specifications at any time without previous notice.